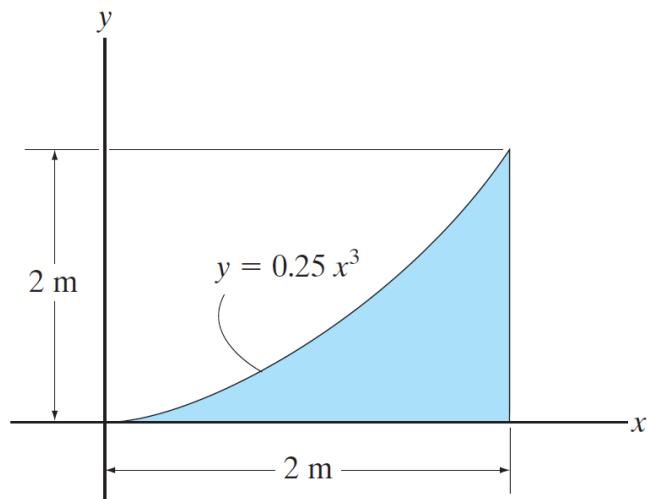
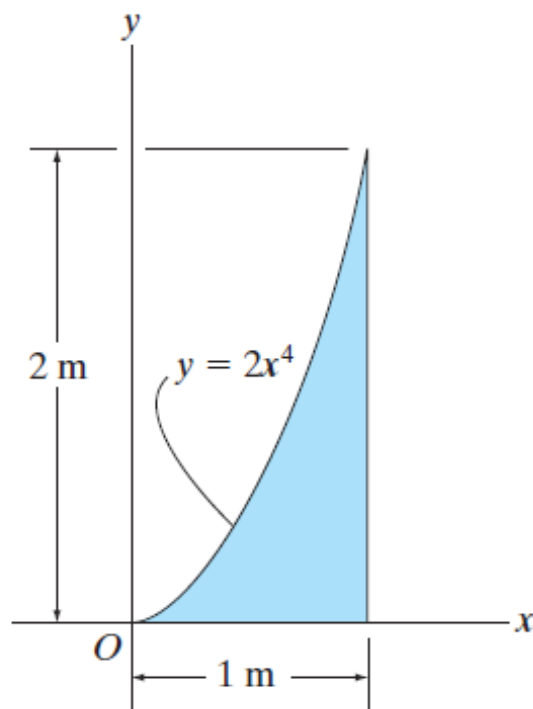


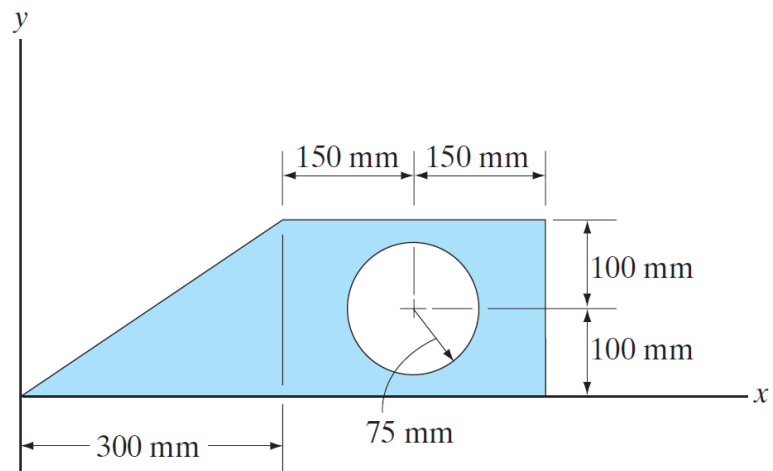
1. Determine the moment of inertia of the area about x and y axes.



2. Determine the polar moment of inertia of the area about the z axis passing through point O .



3. Determine the moment of inertia of the composite area about the x and y axes.



4. Determine the product of inertia of the area with respect to the x and y axes.

